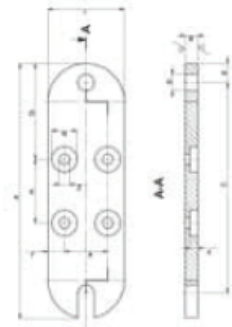


Teknik bilgiler model ZWW

Model	EAN-No. 4025092* Worm gear	Tensile or pressure load kg	Rack length mm	Lift mm	Lift per crank rotation mm	Hand effort at WLL daN	Weight kg
ZWW-L 250/400	*437592	250	600	400	11	10	5.4
ZWW-L 500/400	*437752	500	600	400	11	15	6.0
ZWW-L 250/600	*383707	250	800	600	11	10	5.9
ZWW-L 500/600	*383806	500	800	600	11	15	6.5
ZWW-L 1000/600	*383967	1000	800	600	3.6	14	8.9
ZWW-L 250/800	*383448	250	1000	800	11	10	6.4
ZWW-L 500/800	*383837	500	1000	800	11	15	7.0
ZWW-L 1000/800	*383981	1000	1000	800	3.6	14	10.0
ZWW-L 250/1000	*383745	250	1200	1000	11	10	6.9
ZWW-L 500/1000	*383844	500	1200	1000	11	15	7.5
ZWW-L 1000/1000	*384018	1000	1200	1000	3.6	14	11.3
ZWW-L 250/1200	*383783	250	1400	1200	11	10	5.4
ZWW-L 500/1200	*383899	500	1400	1200	11	10	6.0
ZWW-L 1000/1200	*384025	1000	1400	1200	3.6	14	12.4
ZWW-L 1000/1400	*437868	1000	1600	1400	3.6	14	13.6
ZWW 1500/800	*654272	1500	1090	800	14	28	11
ZWW 3000/565	*653640	3000	975	565	9	28	19
ZWW 5000/700	*995931	5000	1170	700	4.5	28	28
ZWW 10000/700	*285087	10000	1240	700	3.2	40	55

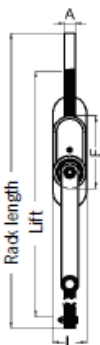
Boyutlar model ZWW

Model	ZWW-L 250	ZWW-L 500	ZWW-L 1000	ZWW 1500	ZWW 3000	ZWW 5000	ZWW 10000	Assembly plate ¹
A, mm	20	20	25	35	45	50	60	200
B, mm	20	25	35	25	30	40	50	10
C, mm	-	-	-	215	280	330	380	165
Ø D, mm	11	13	16.5	21	21	21	30	13
E, mm	16	20	20	20	25	25	30	15
F, mm	130	130	127	135	165	140	160	6
G, mm	119	119	98	151	212	219	269	75
H, mm	200	200	180	310	395	400	480	50
I, mm	-	-	34.5	168	179	197	200	60
J, mm	38	35	29.5	26	31	37	39.5	13
K, mm	-	-	-	100	120	120	140	34
L, mm	60	60	140	130	160	160	180	-
M, mm	170	170	140	260	305	320	410	-
Ø N, mm	11	11	13	12.5	14.5	17	21	20
O, mm	-	-	100	110	120	105	125	-
P, mm	-	-	-	40	50	50	60	-
Q, mm	10	10	-	8	10	10	10	-
R, mm	200	250	200	250	250	250	300	-
S, mm	110	110	110	130	130	130	250	10
T, mm	-	-	-	42.4	86.25	109.1	150.4	-
U, mm	-	-	-	43.3	53.1	69.5	88.3	-
X, mm	-	-	-	20	25	45	30	-
Ø Z, mm	-	-	-	-	-	-	-	8.2

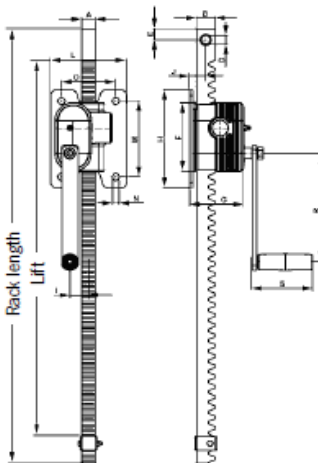
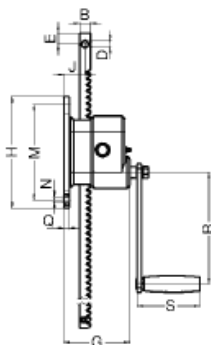


Assembly plate
- available for
following models only:
ZWW-L 250 and
ZWW-L 500

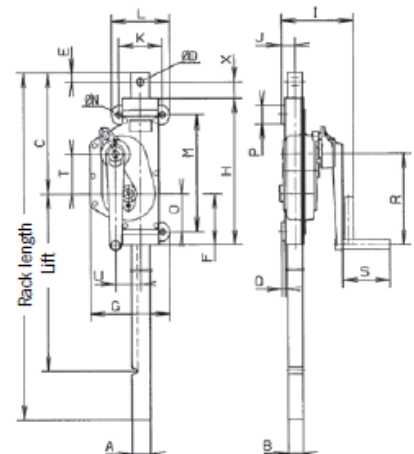
¹ available for following models only ZWW-L 250 and ZWW-L 500



Model ZWW-L, capacity 250 - 500 kg



Model ZWW-L, capacity 1000 kg



Model ZWW, capacity 1500 - 10000 kg