

**Technical data model CPA ATEX BASIC II 3 GD c IIB T4 / II 2 GD c IIA T4**

Model	EAN-No. 4025092*	Capacity in kg/ number of chain falls	Lifting speed with rated load <sup>1</sup> m/min	Lifting speed without load <sup>1</sup> m/min	Lowering speed with rated load <sup>1</sup> m/min	Hoist motor  kW	Weight <sup>2</sup> suspension hook  kg	Weight <sup>2</sup> push trolley  kg	Weight <sup>2</sup> geared trolley  kg	Weight <sup>2</sup> pneumatic trolley  kg
CPA ATEX 20-8	*377942	2000/1	7.4	9.9	11.0	2.6	121	184	188	199
CPA ATEX 30-6	*377959	3000/1	6.0	9.9	13.0	3.2	121	184	188	199
CPA ATEX 40-4	*377966	4000/2	3.7	5.0	5.5	2.6	140	202	206	218
CPA ATEX 50-3	*377973	5000/2	3.4	5.0	6.0	3.0	140	202	206	218
CPA ATEX 75-2	*377980	7500/3	2.0	3.3	4.3	3.2	-	-	-	-
CPA ATEX 100-3	*377997	10000/4	3.4	5.0	6.0	2 x 3.0	-	-	-	-

**Technical data model CPA ATEX MEDIUM II 2 GD c IIB T4**

Model	EAN-No. 4025092*	Capacity in kg/ number of chain falls	Lifting speed with rated load <sup>1</sup> m/min	Lifting speed without load <sup>1</sup> m/min	Lowering speed with rated load <sup>1</sup> m/min	Hoist motor  kW	Weight <sup>2</sup> suspension hook  kg	Weight <sup>2</sup> push trolley  kg	Weight <sup>2</sup> geared trolley  kg	Weight <sup>2</sup> pneumatic trolley  kg
CPA ATEX 20-8	*393690	2000/1	7.4	9.9	11.0	2.6	121	184	188	199
CPA ATEX 30-6	*409438	3000/1	6.0	9.9	13.0	3.2	121	184	188	199
CPA ATEX 40-4	*409469	4000/2	3.7	5.0	5.5	2.6	140	202	206	218
CPA ATEX 50-3	*409483	5000/2	3.4	5.0	6.0	3.0	140	202	206	218
CPA ATEX 75-2	*410175	7500/3	2.0	3.3	4.3	3.2	-	-	-	-
CPA ATEX 100-3	*409520	10000/4	3.4	5.0	6.0	2 x 3.0	-	-	-	-

**Technical data model CPA ATEX HIGH II 2 GD c IIC T4**

Model	EAN-No. 4025092*	Capacity <sup>3</sup> in kg/ number of chain falls	Lifting speed with rated load <sup>1</sup> m/min	Lifting speed without load <sup>1</sup> m/min	Lowering speed with rated load <sup>1</sup> m/min	Hoist motor  kW	Weight <sup>2</sup> suspension hook  kg	Weight <sup>2</sup> push trolley  kg	Weight <sup>2</sup> geared trolley  kg	Weight <sup>2</sup> pneumatic trolley  kg
CPA ATEX 20-8	*409872	2000/1	7.4	9.9	11.0	2.6	121	184	188	199
CPA ATEX 40-4	*409995	4000/2	3.7	5.0	5.5	2.6	140	202	206	218
CPA ATEX 75-2	*410045	6000/3	2.0	3.3	4.3	3.2	-	-	-	-
CPA ATEX 100-3	*409926	8000/4	3.4	5.0	6.0	2 x 3.0	-	-	-	-

<sup>1</sup> Values for 6 bar (flow pressure), air consumption with rated load 4.7 m<sup>3</sup>/min. For CPA 100-2: 9.4 m<sup>3</sup>/min.

<sup>2</sup> Weight for standard 3 m lift. Other lifting heights on request.

<sup>3</sup> Models in HIGH design are already labelled with reduced capacities when delivered.

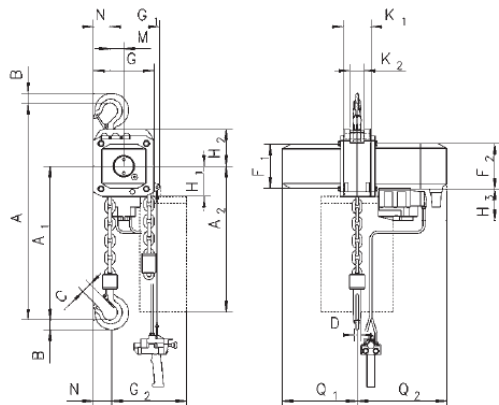
**Technical data trolleys**

Capacity	Size	Beam flange width b	Beam flange thickness t max.	Curve radius min.	Pneumatic trolley travel speed	Pneumatic trolley motor
kg		mm	mm	m	m/min	kW
2000 - 6000	A	98 - 180	27	2.0	18	0.55
2000 - 6000	B	180 - 300	27	1.8	18	0.55
7500 - 10000	B	125 - 310	40	1.8	-	-

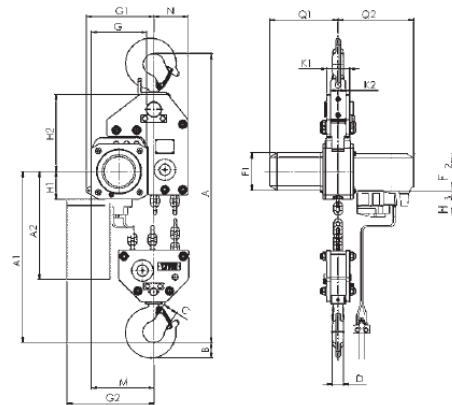
Flow pressure 6 bar, air consumption with rated load 0.75 m<sup>3</sup>/min.

Dimensions model CPA ATEX

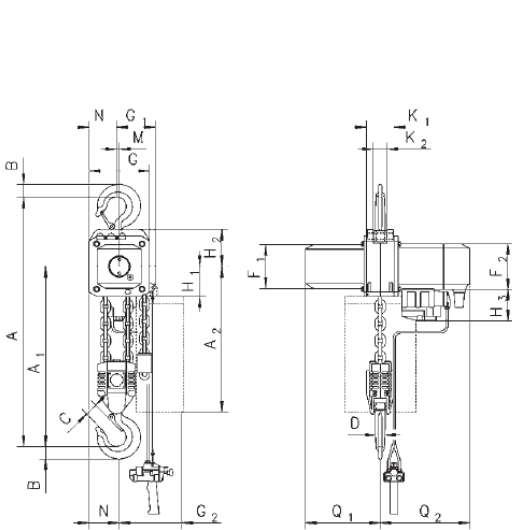
Model	CPA ATEX 20-8	CPA ATEX 30-6	CPA ATEX 40-4	CPA ATEX 50-3	CPA ATEX 75-2	CPA ATEX 100-3
A, mm	516	516	681	681	950	1.068
A1, mm	286	286	428	428	479	651
B, mm	35	35	45	45	60	60
C, mm	37	37	46	46	52	52
D, mm	24	24	30	30	40/45	40/45
F1, mm	160	160	160	160	160	160
F2, mm	165	165	165	165	165	165
G, mm	220	220	220	220	220	581
G1, mm	180	180	140	140	268	311
G2 (13 m), mm	258	258	218	218	-	-
G2 (21 m), mm	278	278	238	238	345	408
H1, mm	110	110	110	110	110	110
H2, mm	135	135	135	135	307	256
H3, mm	115	115	115	115	115	115
K1, mm	100	100	100	100	92	92
K2, mm	51	51	51	51	62	62
M, mm	50	50	9,6	9,6	139	181
N, mm	60	60	100	100	136	291
Q1, mm	272	272	272	272	272	272
Q2, mm	325	325	325	325	325	325



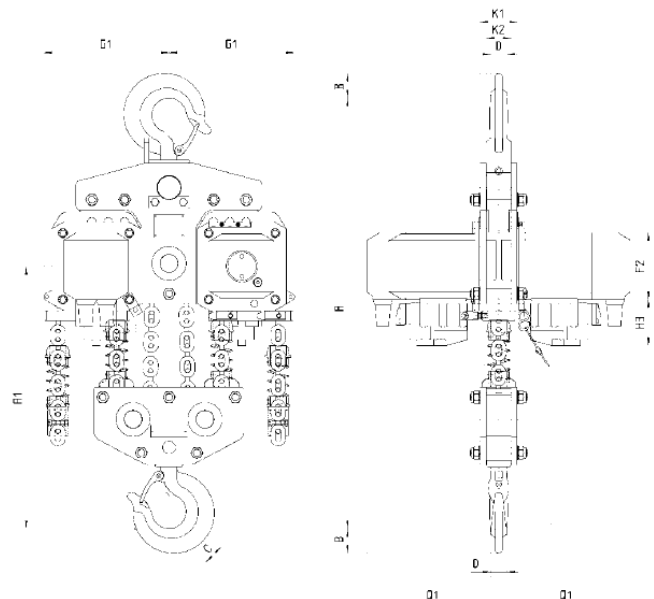
Model CPA ATEX with suspension hook, 2000 - 3000 kg, single fall



Model CPA ATEX with suspension hook, 7500 kg, three fall



Model CPA ATEX with suspension hook, 4000 - 5000 kg, double fall



Model CPA ATEX with suspension hook, 10000 kg, four fall